

D

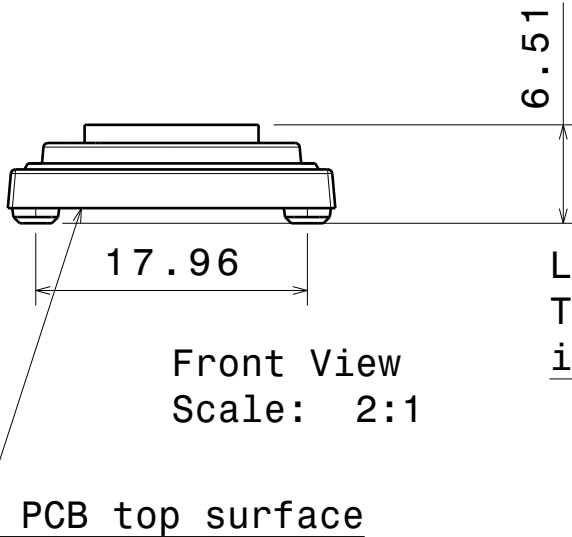
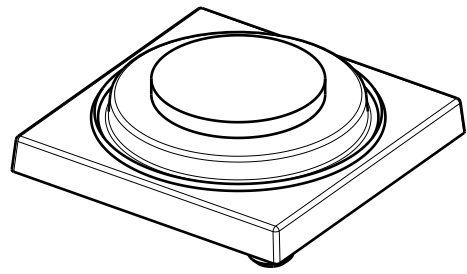
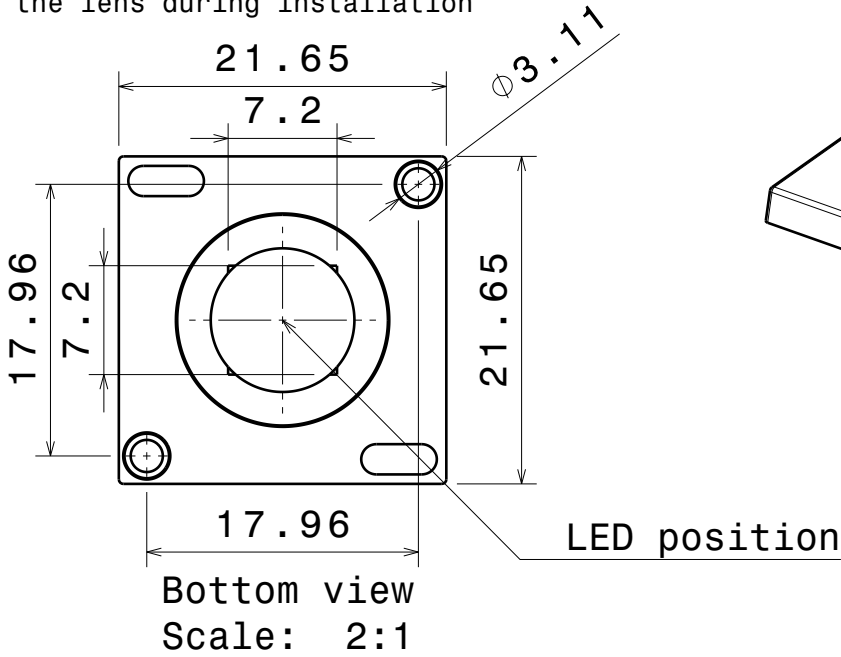
C

B

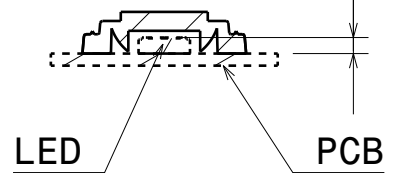
A

Note:  
 Avoid applying pressure on the centre  
 of the lens during installation

DATE  
 02.06.2020



LED position:  
 The recommended tolerance  
 in z-position is  $\pm 0.1$  mm



PART	TYPE	MATERIAL	COLOR / COATING
F17826_VIOLETTA-W			

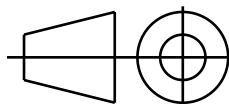
**MECHANICAL DRAWING**

PRODUCT  
**VIOLETTA**

**LEDiL**®

Plastic moulding general tolerances according to DIN 16901-130 and applies if not otherwise shown in the drawing. Silicone moulding general tolerances according to ISO 3302-1 Class M3 and applies if not otherwise shown in the drawing.

FIRST ANGLE PROJECTION:



This drawing is the property of LEDiL Oy. It may not be copied or otherwise distributed without prior written permission from LEDiL Oy.

SCALE 2:1

WEIGHT 1.3g

A4 SHEET 1/1

D

A